

VISION-3 LIGHTING

LED Dual Staff Light **MODEL PA17** 100-277V 20W Max. ea., Dual LEDs w/ Integral Drivers

Specifications

Material

Available in machined 6061-T6 aluminum with 18-8 stainless steel hardware.

Head

Machined heads come in two styles: Side Mount and Rear Mount. (See illustration for aiming capability of each head style.)

Stem

Machined stems available in lengths of 3", 6", 12", 18", 24", 30", 36", 42" and 48". Maximum allowable stem length depends on mount option (see **Ordering Information**). Soil type and installation manner may limit safe stem length further. To prevent fixture from toppling over, these factors must be taken into account when choosing stem length, mount type, or installation manner (concrete anchoring may be required).

Knuckle

A Rotate and Lock knuckle (protected under U.S. Patents #6,966,679, #7,108,405 and #7,458,552) mounts each head and allows for adjustability. Double taper design allows fixture to hold position during aiming and ensures a solid lock when tightened. LED models have molded silicone wire seals at knuckles to prevent moisture entry around wires.

Cap

Machined caps come in four styles, lock in place with one 18-8 stainless steel set screw, and are sealed to the body with a high temperature silicone O-ring. Regress Lens caps have drain holes for water drainage from top of lens if mounted in the up position. All caps accept up to three internal accessories, held in place by a stainless steel clip.

Finish

TGIC thermo set polyester powder coat paint available in 14 standard colors. Finish is applied over a corrosion resistant, hexavalent chromium free, RoHS compliant coating. Also available in one additional metal finish: Clear Anodized.

Lens

Each cap contains a 1/8" thick tempered, clear lens, secured with a high temperature, UV curing, silicone adhesive.

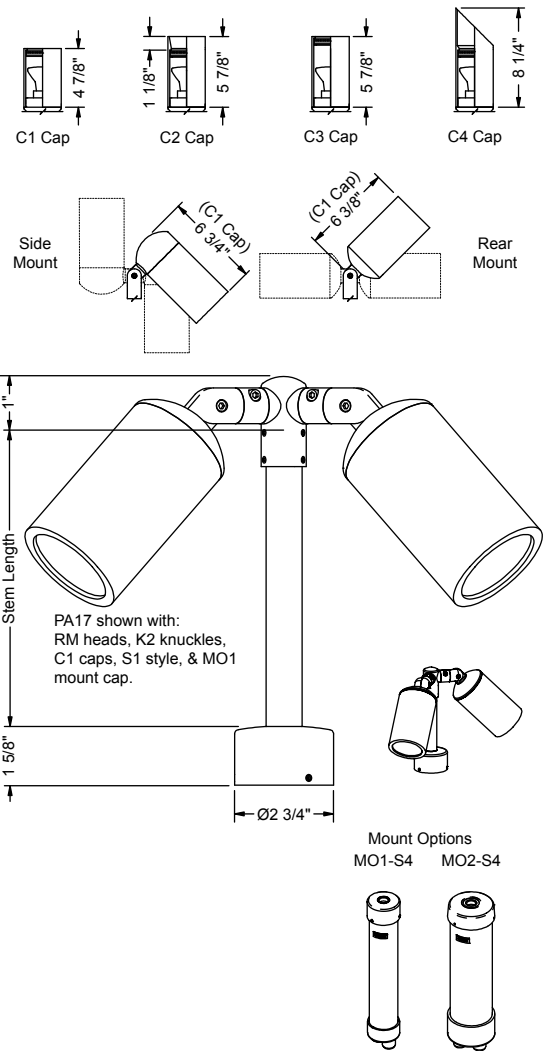
LED's

Dual LED's with 100 to 277 VAC (50/60 Hz) input and 20W max. power each (17W@120V, 20W@277V). Each LED features: integral driver, up to 1280 lumen output, up to 75 lm/W efficacy, four different beam patterns (15°, 23°, 35° & 51°), field changeable optics, push button selection of 4 light levels (100%, 80%, 55% & 18%), 120-277V universal 0-10V dimming available at three highest (100%, 80%, 55%) light level settings, 120V phase dimming at highest (100%) light level setting (see Dimmer Compatibility List), an L70 of 60,000 hrs., and patented LEDSense® thermal management to ensure reliability and lumen maintenance. Note: thermal management system may cause power input and light output to vary slightly depending on fixture material, orientation, lens accessories, mounting, and ambient temperature.

Certification

CSA tested & certified to US and Canadian safety standards for wet location landscape use per UL1598.

All ratings subject to change without notice. See web site or contact V3 for most current info.



Ordering Information

Model	Head	Cap Style	Style	Stem	Lamp ³	Lens Accy	Filter	Louver
PA17A - Aluminum	SM - Side Mount RM - Rear Mount	C1 - Flush C2 - Regress Lens C3 - Regress Lamp C4 - 45° Angled	S1 - Straight	0 - No Stem 3 - 3" Stem 6 - 6" Stem 12 - 12" Stem 18 - 18" Stem 24 - 24" Stem 30 - 30" Stem 36 - 36" Stem 42 - 42" Stem 48 - 48" Stem	100-277V, 20W Max. LED (ea): 137 - 15°, 3000K, >80 CRI 138 - 23°, 3000K, >80 CRI 139 - 35°, 3000K, >80 CRI 140 - 51°, 3000K, >80 CRI	0 - None L1 - Spread L2 - Linear L3 - Softening	0 - None F1 - Red F2 - Blue F3 - Lt. Blue F4 - Green F5 - Amber F6 - Pink	0 - None H1 - Hex
Finish		Knuckle		Mount¹				
Powder Coat Finishes:		K2 - Rotate & Lock		SN - Nipple Only (No Mount) ²				
BL - Black				MO1-S0 - No Mount (MO1 Cap Only, 36" max. stem)				
BLT - Textured Black				MO1-S4-12 - 12" MO1 Junction Mount (36" max. stem)				
BN - Bronze				MO1-S4-18 - 18" MO1 Junction Mount (36" max. stem)				
BNT - Textured Bronze				MO2-S4-12 - 12" MO2 Junction Mount (48" max. stem)				
BAT - Textured Bark								
WI - White								
GRT - Textured Green								
SI - Silver								
GY - Grey								
BE - Beige								
GNT - Textured Granite								
SAT - Textured Sand								
PAT - Textured Patina								
EAT - Textured Earth								
Metal Finishes:								
CLA - Clear Anodized								

- Notes:**
- See mount spec. sheets for mount details.
 - SN mount option requires that a separate mount be used.
 - LED lamp options available in other color temperatures and / or CRI's (contact V3 for info).
 - Specifications, certifications, and ordering information are subject to change. Please check website for latest specification sheets.

Example: PA17A - BL - SM - K2 - C4 - S1 - 24 - MO1-S4-12 - 137 - L1 - 0 - H1